

SIMPLE TOTE

This simple, sturdy tote bag is an essential. I used my cotton/linen blend fabric for Kokka, but any heavyweight cotton or canvas will work. You can change the dimensions to make a large, roomy bag or a small handbag. Add zippered pockets, a divider, or key holders to the inside to increase functionality. To make this lined tote bag, you simply make two bags, put one inside the other and flip them right sides out -- easy! Once you've got this simple method, you can make all kinds of variations.

Supplies:

- 1/2 yard outer canvas fabric
- 1/2 yard cotton lining fabric
- 1/2 yard interfacing or quilt batting
- matching thread
- 2 faux leather handles (24")
- 8 rivets and burrs
- hammer (setting tools optional)

Seam allowance: 1/2"

1. SEW LINING AND OUTER BAG: Cut two pieces each of canvas, lining, and interfacing to 14" x 15". Pin interfacing to the wrong sides of both lining pieces, then sew the lining pieces together, right sides facing, sewing around three sides and leaving a 5" opening in the bottom as shown in fig. A. Repeat with the outer bag pieces, but do NOT leave an opening in the bottom.

2. SQUARE CORNERS: With the lining still wrong sides out, flatten a bottom corner so that the side seam and bottom seam are aligned. Press in place. Draw a line 2" from the tip of the seam, as shown in fig. B and sew along this line. Repeat with the other corner. Cut off the corner pieces and run a zig-zag stitch close to the edge, as shown in fig. C. Repeat with the outer bag corners. Press all seams open.

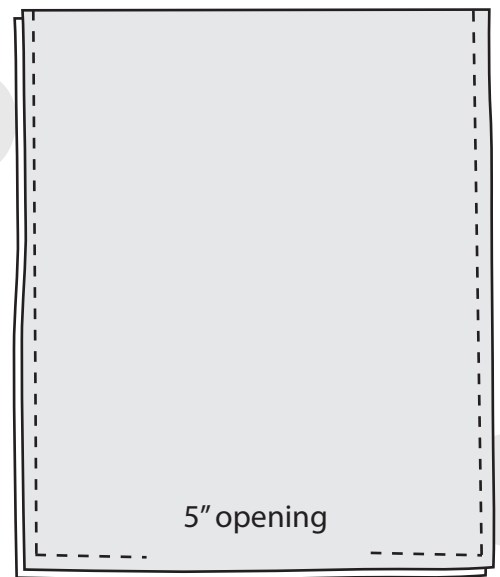


Fig. A

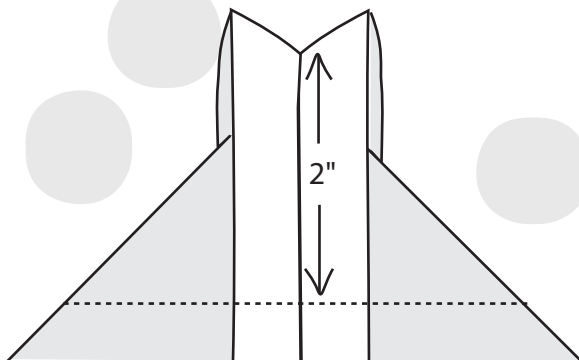


Fig. B

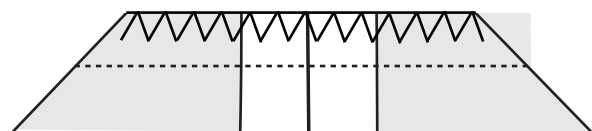


Fig. C

3. **SEW LINING TO BAG:** Turn the outer bag right sides out and place it inside the lining bag piece so that right sides of the fabric are facing one another and side seams are aligned. Pin along the top and sew along the outer edge, as shown in fig. D. Pull the bag through the opening in the lining, pushing out all corners and smoothing the seams. Topstitch the opening in the lining closed. Press the seam flat along the outer top of the bag.

4. **ATTACH HANDLES:** Center the straps about 3" from the top and 3" from each side seam, then mark where the holes should go. Use an awl or seam ripper to cut holes in the fabric and install the rivets according to the instructions.

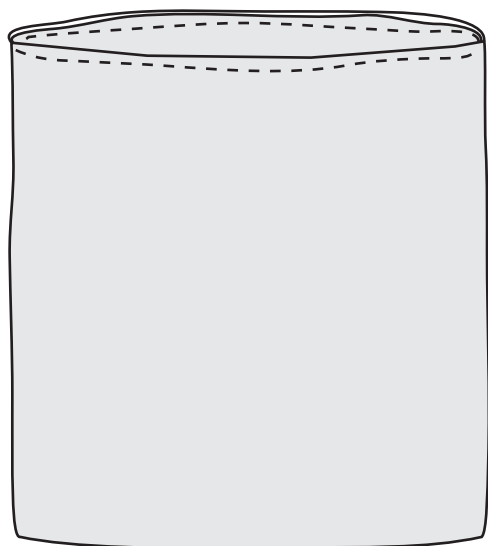


Fig. D

